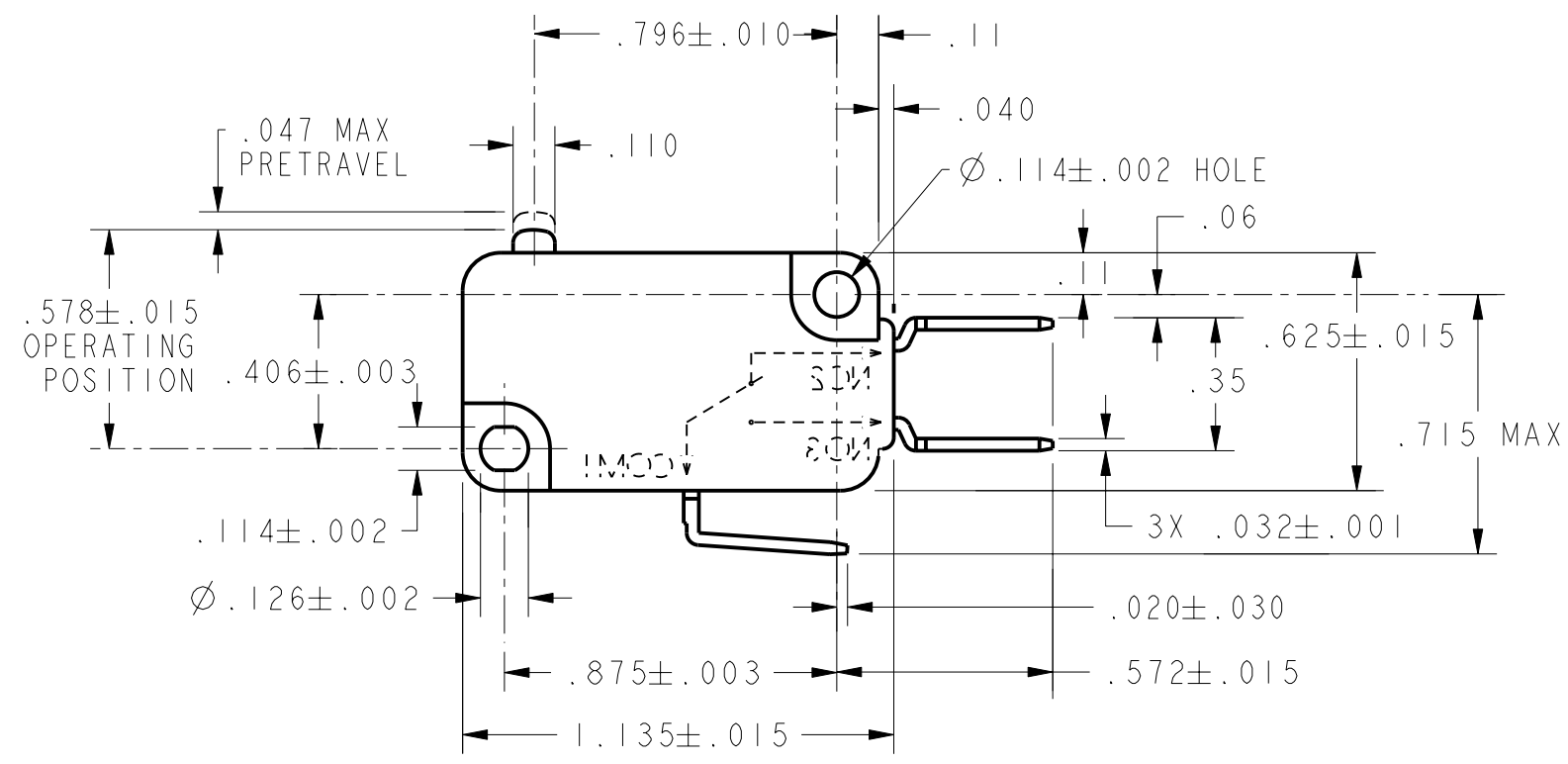
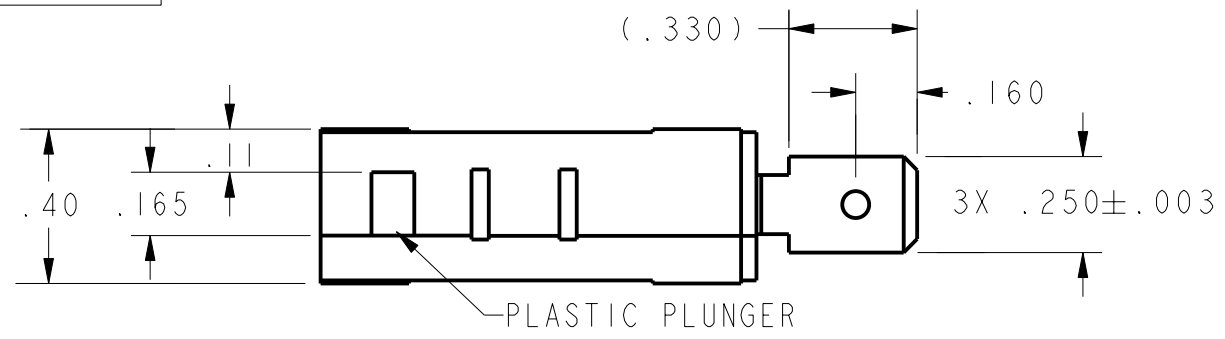


CW-B9725

REV	DOCUMENT	CHANGED BY	CHECK
3	203276	TSM 15JUN01	SAV
4	207443	TSM 17FEB03	SAV



NOTES
 1 - MAXIMUM MECHANICAL DEAD BREAK OF .0025 MAY BE EXPECTED WITH THIS SWITCH CONSTRUCTION

CHARACTERISTICS	
OPERATING FORCE	----·225 GRAMS MAX
RELEASE FORCE	----- 20 GRAMS MIN
DIFFERENTIAL TRAVEL	---- .010 MAX
OVERTRAVEL	----- .050 MIN
FREE POSITION	----- .625 MAX
RELEASE TRAVEL	----- .010 MIN

ELECTRICAL DATA	
CONTACT ARRANGEMENT S P D T	
25A, 277 VAC	
1HP, 125 VAC	
2HP, 250 VAC	

UNLESS OTHERWISE SPECIFIED TOLERANCES ARE:			
	<input checked="" type="checkbox"/> US (inch) CUSTOMARY	<input type="checkbox"/> SI (mm) METRIC	
NO PLACE	X	±.040	±1
ONE PLACE	.X	±.030	±0,4
TWO PLACE	.XX	±.015	±0,15
THREE PLACE	.XXX	±.005	±
ANGLES		±	±
RAW MATERIAL-COMMERCIAL STANDARD			
THIRD ANGLE PROJECTION			

DRAWN	TSM	15JUN01
CHECK	SAV	15JUN01
THIS DRAWING COVERS A PROPRIETARY ITEM AND IS THE PROPERTY OF HONEYWELL. THIS DRAWING IS NOT TO BE COPIED OR USED WITHOUT THE PERMISSION OF HONEYWELL.		
PTC 2D	ASME Y14.5M-1994	

Honeywell			
TITLE SWITCH, BASIC			
SIZE	DWG TYPE	DRAWING NAME	REV
B	I	V7-1Z19E9	4
SCALE	2:1	WEIGHT	SHEET 1 OF 1

